

# ELKAY® SPECIFICATIONS

## Floor Water Cooler Air Cooled Floor Mounted Model LFAE20S(F)3YJOSA

### GENERAL

Self-contained, electric refrigerated, floor model water cooler. Capacity of 50°F drinking water, based upon 80°F inlet water. Shall include the WaterSentry® VII 1500-gallon capacity filter, certified to NSF/ANSI 42 and 53. Unit shall be lead-free design which is certified to NSF/ANSI 61 and 372 and meets Federal and State low-lead requirements.

Unit shall comply with ASME A 112.19.3 / CSA B45.4.

### STANDARD FEATURES

- Removable front panel offers easy accessibility to interior
- WaterSentry® VII 1500-gallon capacity Filtration System, certified to NSF/ANSI 42 & 53 (Lead, Class 1 Particulate, Chlorine, Taste & Odor)
- Extra deep basin minimizes splashing; with integral drain
- Exclusive Flexi-Guard® Safety bubbler
- Cooler Panel Finish: Stainless Steel
- Rated for Indoor use

### COOLING SYSTEM

- Compressor: Hermetically sealed, reciprocating type, 220V, 60 Hz single phase. Sealed-in lifetime lubrication.
- Condenser: Fan cooled, copper tube with aluminum fins. Fan motor is permanently lubricated.
- Cooling Unit: Combination tube-tank type. Tube portion is continuous coil of copper tubing. Fully insulated with EPS foam which meets Underwriters Laboratories Inc. Requirements for self extinguishing material.
- Refrigerant Control: Refrigerant R134a is controlled by accurately calibrated capillary tube.
- Temperature Control: Easily accessible enclosed adjustable thermostat is factory preset. Requires no adjustment other than for altitude requirements.

**RATED FOR INDOOR USE ONLY**  
**ONLY AVAILABLE FOR SAUDI ARABIA**





### CONSTRUCTION

- Stainless Steel basin with integral drain
- Galvanized structural steel cooler chassis provides structural integrity
- Cooler cabinet is Stainless Steel construction
- Exclusive Flexi-Guard® Safety bubbler utilizes an infused anti-microbial pliable polyester elastomer to prevent accidental mouth injuries. Flexes on impact.
- Cabinet design allows for flush to wall mounting or free standing.
- †Glass Filler is sold separately

### REPLACEMENT FILTER:

- 51299C (single)

**Warranty:** 5 year limited warranty on the unit's refrigeration system. Electrical components and water system are warranted for 12 months from date of installation or 18 months from factory shipment, whichever date falls first.

<b>CAPACITIES CHART</b>						 TÜVRheinland® Tested by:	 C USA	
Model	Voltage / Hertz	Chilling** Capacity	F.L. Amps	Rated Watts	Approx. Ship Wt.	SASO 1062 (SASO/IEC 60335-1) & SASO/IEC 60335-2-89 Compliant	NSF/ANSI 61 and 372 Certified	NSF/ANSI 42 and 53 Certified (Filter only)
LFAE20S3YJOSA	220V / 60Hz	19.5 GPH	5.5	420	83	•	•	•
† LFAE20SF3YJOSA	220V / 60Hz	19.5 GPH	5.5	420	83	•	•	•

\*\*Based on 80°F inlet water & 90°F ambient air temp for 50°F chilled drinking water.

† Glass filler available at extra cost.

*This specification describes an Elkay product with design, quality and functional benefits to the user. When making a comparison of other producer's offerings, be certain these features are not overlooked.*

# Floor Water Cooler

## Air Cooled Floor Mounted

### Model LFAE20SF3YJOSA

# ELKAY®

## ROUGH-IN DIMENSIONS

**RATED FOR INDOOR USE ONLY**  
**ONLY AVAILABLE FOR SAUDI ARABIA**

Open space rough-in design permits new installation or replacement of existing fountains and coolers with this Elkay cooler when rough-in is within the outline shown.

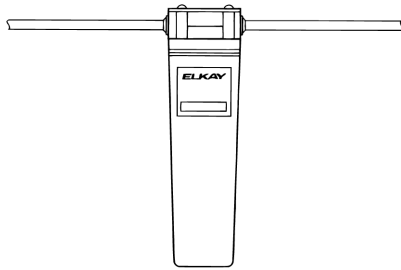
**IMPORTANT! INSTALLER PLEASE NOTE:**

This water cooler has been designed and built to provide water to the user which has not been altered by materials in the cooler waterways.

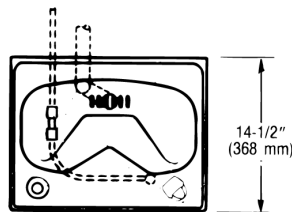
The grounding of electrical equipment such as telephone, computers, etc to water lines is a common procedure. This grounding may be in the building or occur away from the building. This grounding can cause electrical feedback into a water cooler creating an electrolysis which creates a metallic taste or causes an increase in the metal content of the water. This condition is avoidable by installing the cooler using the proper materials as shown below.

**NOTICE**

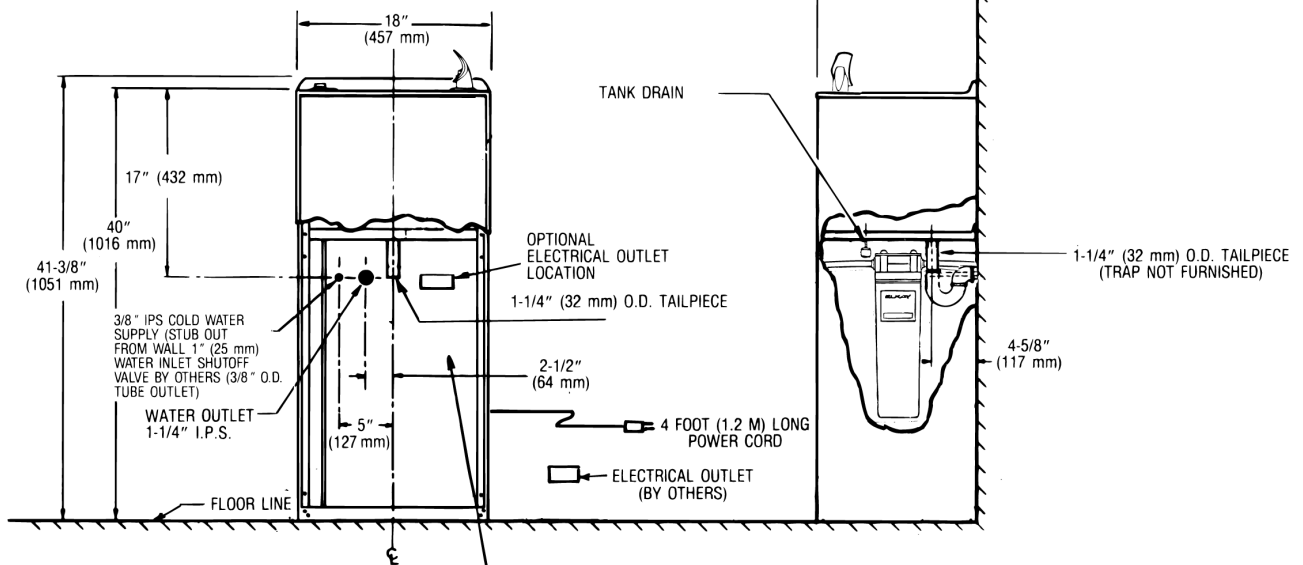
This water cooler must be connected to the water supply using a dielectric coupling. The cooler is furnished with a non-metallic strainer which meets this requirement. The drain trap, which is provided by the installer, should also be plastic to completely isolate the cooler from the building plumbing system.



WaterSentry® VII Filter System



FRONT VIEW



PLUMBING ROUGH-IN CAN BE LOCATED ANYWHERE WITHIN THIS AREA.

**LEGEND**

- A = RECOMMENDED WATER SUPPLY LOCATION. SHUT OFF VALVE (NOT FURNISHED) TO ACCEPT 3/8 O.D. UNPLATED COPPER TUBE.
- B = RECOMMENDED LOCATION FOR WASTE OUTLET 1-1/4" O.D. DRAIN
- C = 1-1/4 TRAP NOT FURNISHED
- D = POWER CORD 4 FEET (1219mm) LONG
- E = INSURE PROPER VENTILATION BY MAINTAINING 4" (102mm) (MIN.) CLEARANCE FROM CABINET LOUVERS TO WALL.
- F = TO LEVEL UNIT, LOOSEN SCREWS TO ADJUST BASE FOR CONTACT WITH FLOOR. TIGHTEN SCREWS AFTER UNIT HAS BEEN LEVELED.

Job Name: \_\_\_\_\_  
 Model: \_\_\_\_\_ Qty. \_\_\_\_\_  
 Contact: \_\_\_\_\_  
 Approval Signature: \_\_\_\_\_  
 Notes: \_\_\_\_\_