

Designer: Artefakt



Description

Ceraplan III bath & shower built in mixer KIT 2, with 47 mm Click cartridge, hot water limiter, square escutcheon with rounded edges, chrome, for combination with A 1000 NU KIT1

Ceraplan III shower built in mixer KIT 2, with 47 mm Click cartridge, hot water limiter, square escutcheon with rounded edges, chrome, for combination with A 1000 NU KIT1

Necessary equipment

Easy Box kit 1, internal built in part for built in fittings, with pipe connections, fixation feet and fixation holes, support for accurate and reliable positioning both horizontally and vertically, grooves to facilitate trimming of the protruding parts of the box and flushing device.

Product

Article-No.

Bath & Shower built in mixer
Shower built in mixer

A6115AA
A6114AA

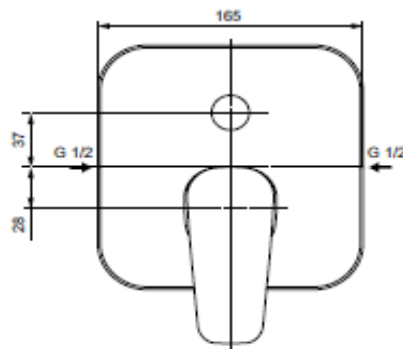
Necessary equipment

Kit 1 Easy-Box

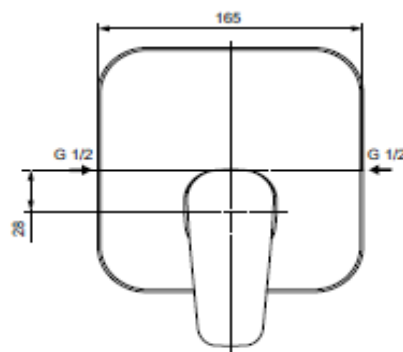
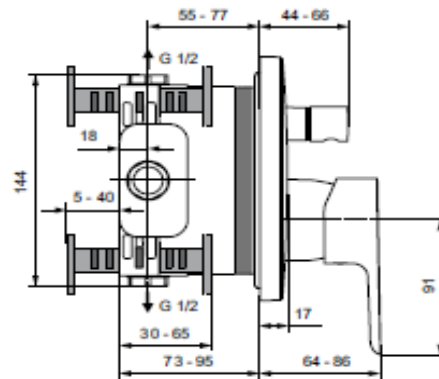
A1000NU

Finishes

AA Chrome
NU Neutral



A6115_ A6116_



A6114_

