

Designer: Artefakt



Description

Tonic II built in basin mixer kit 2, with **maximum 5lt/min flow rate**, with 47 mm cartridge, 180 mm spout projection, hot water limiter integrated in the cartridge, metal handle, metal escutcheon, adjustable aerator M24x1, noise class 1, chrome for combination with kit 1 A5948NU.

Tonic II built in basin mixer kit 2, with **maximum 5lt/min flow rate**, with 47 mm cartridge, 225 mm spout projection, hot water limiter integrated in the cartridge, metal handle, metal escutcheon, adjustable aerator M24x1, noise class 1, chrome for combination with kit 1 A5948NU.

Necessary equipment

Kit 1, built in unit for wall mounted basin mixer, with G1/2" female connection, 110 mm center to center, 2 pcs plaster guard with water level pins, flushing device and nail holes for fixation.

Product

Article-No.

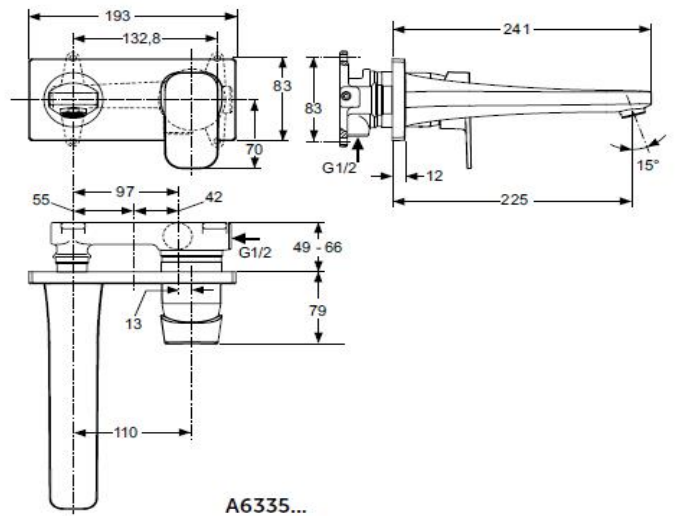
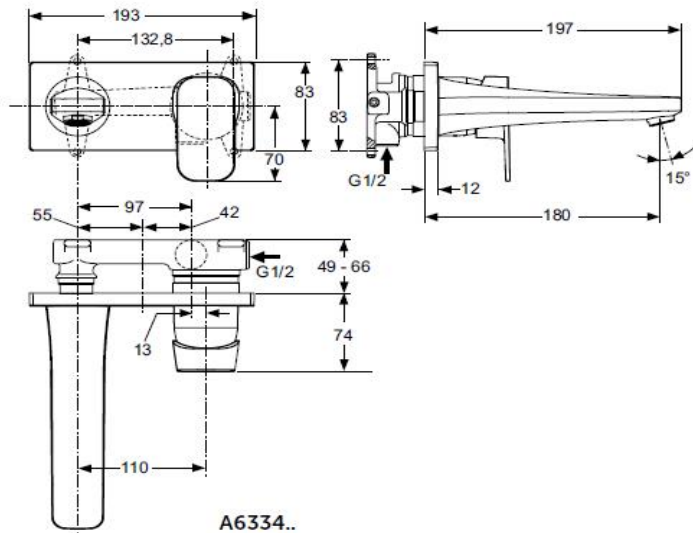
Basin mixer wall mounted kit2, 180 mm spout projection	A6334AA
Basin mixer wall mounted kit2, 225 mm spout projection	A6335AA

Necessary equipment

Kit 1, built in unit for basin mixer	A5948NU
--------------------------------------	----------------

Finishes

- AA Chrome
- NU Neutral



Bathroom Fittings