



**AMERICAN SPECIALTIES, INC.**  
 441 Saw Mill River Road, Yonkers, NY 10701  
 (914) 476.9000 • (914) 476.0688  
 www.americanspecialties.com

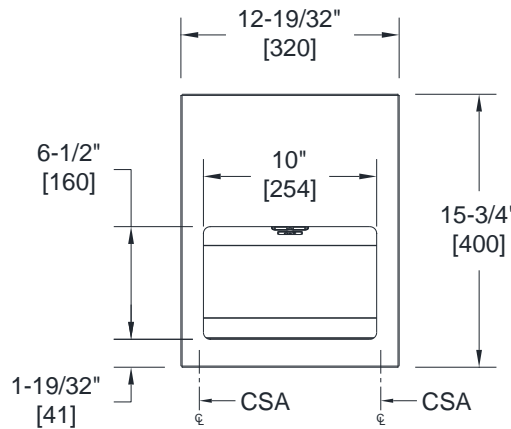
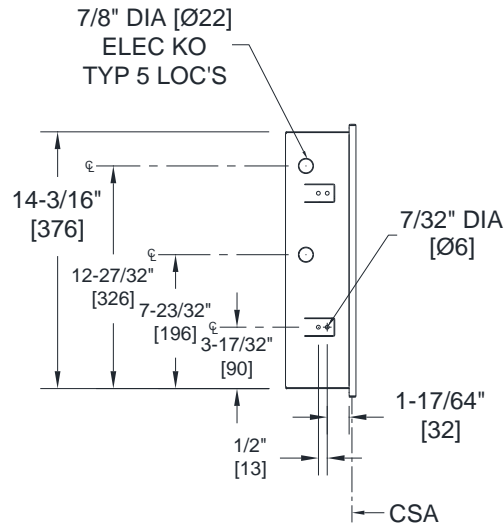
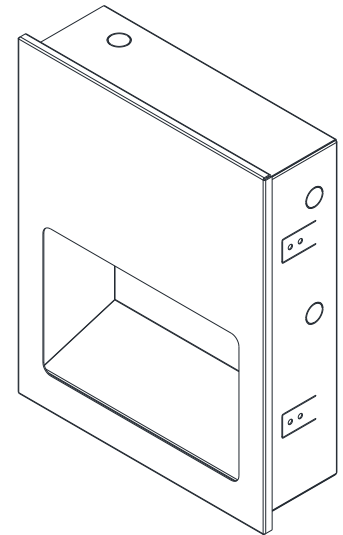
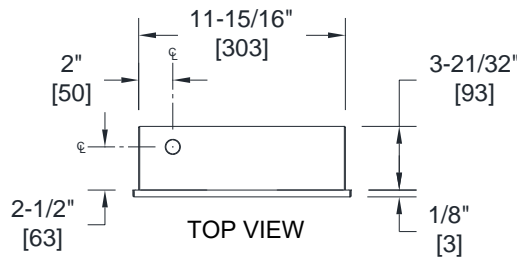
**MODEL №: 0135**

**ISSUED: 2/2018**

**REVISED: 17 FEB 2020**

**TURBO-TUFF™ RECESS MOUNTED SENSOR HAND DRYER (Pg 1 of 2)**

**NOTE:**  
 ALL DIM'S INCH [MM]  
 ILLUSTRATION FOR REF ONLY AND NTS  
 FOR CLEANING INSTRUCTIONS SEE APPROPRIATE  
 SECTIONS IN PRODUCT CARE & MAINTENANCE  
 BULLETIN (PCM) ON ASI WEBSITE  
 CSA = CONCEALED SCREW AXIS



SIDE VIEW

FRONT VIEW

ISOMETRIC

**SPECIFICATION**

Turbo-Tuff™ Recess Mounted Sensor Hand Dryer shall operate automatically from IR sensor that shall activate dryer when hands are placed in sensor zone. Cover and hand drying chamber shall be 18 gauge type 304 stainless steel alloy 18-8. All exposed surfaces shall have satin finish and shall be protected during shipment by PVC film easily removable after installation. Cabinet shall be 20 gauge galvanized steel with a 1/2" [13] wide perimeter trim to lay flush against wall and shall have concealed and captive hex screws to close cover. Motor and heating element shall have internal resetting automatic thermal protection. Fixed directional air shall be vanes heavy duty, rust proof and tamper resistant. Air intake slots shall not allow access to internal parts. Circuitry shall have self-adjusting time-out and fail-safe off protection controlled by a microprocessor that shall detect and reject false signals and shall automatically self-calibrate to provide uniform sensitivity over its entire life span. Entire unit shall be internally electrically grounded. Dryer unit shall have approval and be listed under the re-examination services of Underwriters Laboratories, Inc. Unit shall be warranted against defects in materials or workmanship for three (3) years. Owner's Manual (OM) and Mounting Template Installation Guide (MT & IG) are supplied with unit.

**Turbo-Tuff™ Recess Mounted Sensor Hand Dryer shall be Model № 0135-\_\_\_ {specify voltage suffix} of American Specialties, Inc., 441 Saw Mill River Road, Yonkers, NY 10701-4913**



**AMERICAN SPECIALTIES, INC.**  
 441 Saw Mill River Road, Yonkers, NY 10701  
 (914) 476.9000 • (914) 476.0688  
 www.americanspecialties.com

**MODEL №:** 0135

**ISSUED:** 2/2018

**REVISED:** 17 FEB 2020

**TURBO-TUFF™ RECESS MOUNTED SENSOR HAND DRYER (Pg 2 of 2)**

**INSTALLATION**

Mount unit cabinet in wall recess with four (4) № 10 (M5) screws (not supplied) into suitably prepared mountings (by others) or other suitable mounting hardware (by others) to suit wall conditions. For masonry walls, use expansion bolts or anchors for 1/4" (M6) screws. See unit diagram for electrical service cable rough-in location. Electric service of 100-277VAC 20A 50/60 Hz (provided by others) is brought to rough wall opening (RWO) at location for dryer indicated on diagram above and is hooked up (by others) in accordance with schematic and OM provided with unit. Electrical service is supplied and connected (by others) prior to installing cover. Cover is secured to cabinet with two (2) hex socket captive truss flange head screws (supplied). For compliance with ICC/ANSI A-117.1 and 2010 ADA Accessibility Standards, install unit with top of dryer hand chamber 48" [1219] max AFF (Above Finished Floor) if clear floor forward or side reach access is provided or 46" [1168] max AFF if side reach access over an obstruction (e.g. vanity) with reach depth greater than 10" [254] and less than 25" [635] is only provided or 44" [1118] max AFF if forward reach over an obstruction (e.g. commode) with reach depth greater than 20" [508] and less than 25" [635] is only provided. For general utility, install unit so that top of dryer hand chamber is 44" to 50" [1118 to 1270] AFF. Note that top of RWO is 9/32" [7] below top of unit. For installation of two or more dryers, dryers should be no closer than 24" [610] on center. See OM and Template MT & IG supplied with unit.

**RWO required: 12-5/16" [313] W x 15-3/16" [386] H x 3-7/8" [98] D minimum**

**OPERATION**

User activates dryer by placing hands into chamber under sensor. LED in sensor array shines blue light during operation to guide user to optimal hand placement for shorter drying time. Dryer automatically shuts off after time-out or when user removes hands from sensor zone. Hand drying chamber should be cleaned (see PCM) as per schedule determined by maintenance needs to maintain aesthetic appearance and hygienic conditions.

**RATINGS**

MODEL	TYPE	TIMING	SUPPLY	AMPS (MAX)	WATTS	COLOR
0135-1	Hand	Automatic 60 second Shut-Off	110-120 VAC 50/60 Hz	10.4	1000	Satin Finish; Vertical Grain; 304 Stainless Steel
0135-2			208-240 VAC 50/60 Hz	5.2		
0135-3			277 VAC 60 Hz	5.2		

MOTOR	H/P	RPM x1000	FAN TYPE	AIR FLOW	HEATING ELEMENT	AIR OUTPUT TEMPERATURE	SOUND PRESSURE	DRYING TIME
Brush Type Dual Ball Bearings	0.67	16-29 (ADJ)	Multi-Inlet Centrifugal	42-60 CFM (71-102 m <sup>3</sup> /h)	325-500 Watt with auto reset circuit breaker Range Adjustable by Owner	131° F ± 5 @ 77° F (55° C ± 2.8 @ 25°C) Ambient room temperature	68.9-74.3 dB-A @ 2M	Less Than 15 Seconds