



**Description**

Ceraline basin mixer with 35 mm Click cartridge, hot water limiter, flexible hoses G3/8", Easy-fix, cache aerator M21,5x1, metal pop-up waste, pop-up rod, chrome.

Ceraline basin mixer with **maximum 5lt/min flow rate**, 35 mm ceramic disc cartridge, hot water limiter, flexible hoses G3/8", Easy-fix, cache aerator M21,5x1, metal pop-up waste, pop-up rod, chrome.

Ceraline vessel mixer with **maximum 5lt/min flow rate**, 35 mm ceramic disc cartridge, hot water limiter, flexible hoses G3/8", Easy-fix, cache aerator M21,5x1, metal pop-up waste, pop-up rod, chrome.

**Product**

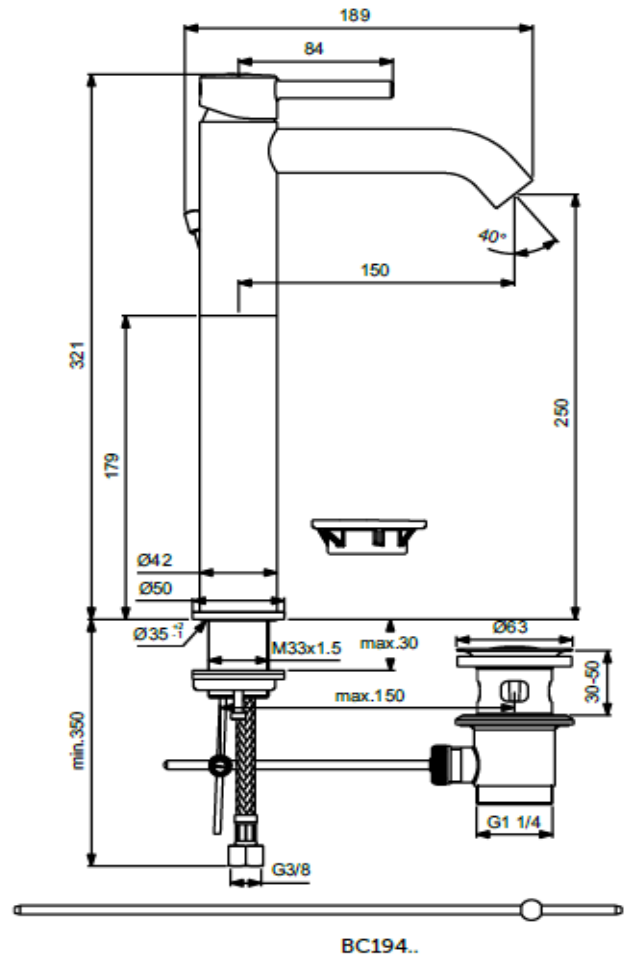
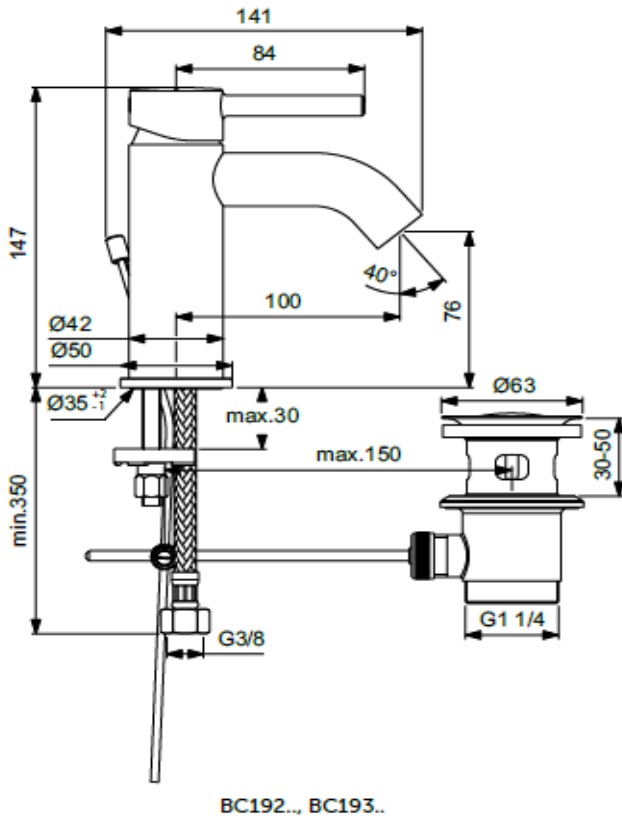
- Basin mixer
- Basin mixer, 5lt/min flow rate
- Vessel mixer

**Article-No.**

- BC192AA
- BC193AA
- BC194AA

**Finishes**

- AA Chrome



Bathroom Fittings