



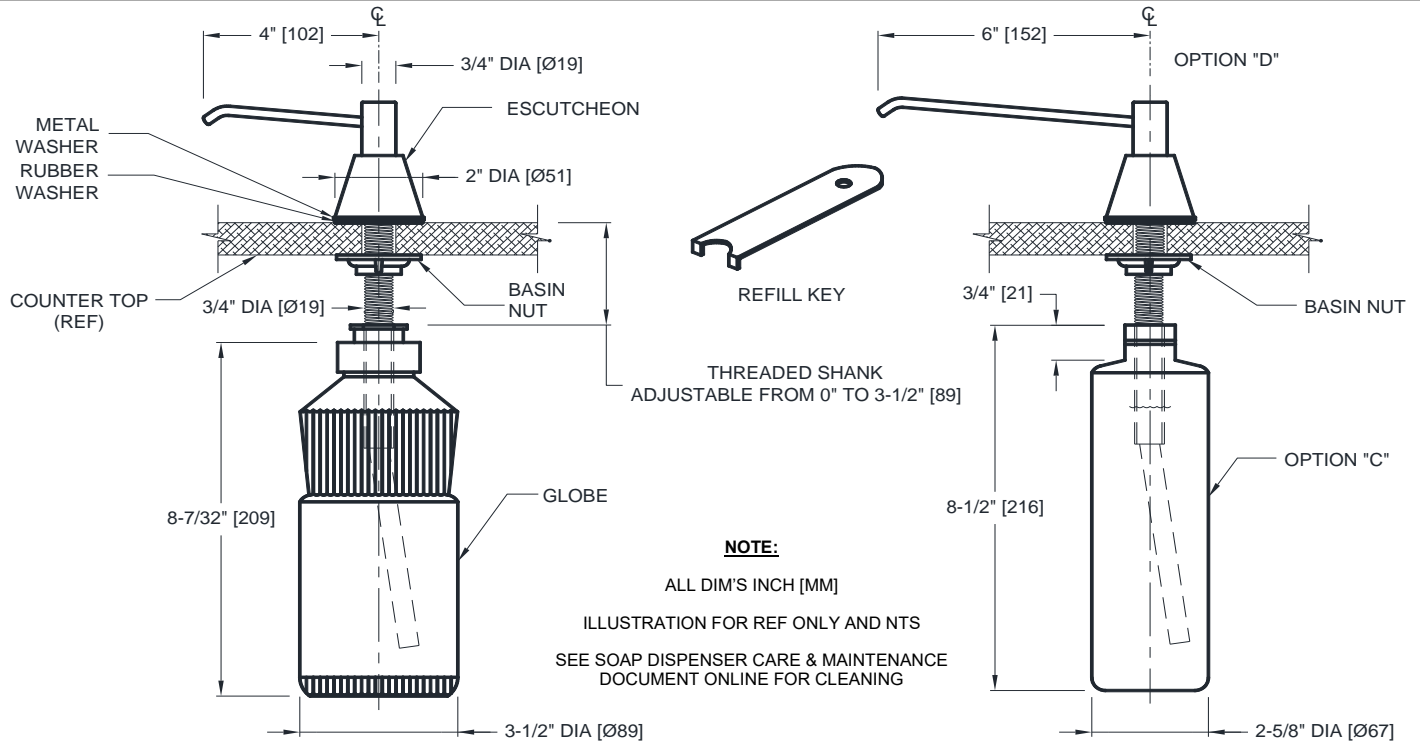
AMERICAN SPECIALTIES, INC.
 441 Saw Mill River Road, Yonkers, NY 10701
 (914) 476.9000 • (914) 476.0688
 www.americanspecialties.com

MODEL №: 0332

ISSUED: 01-87

REVISED: 09 APR 2019

LAVATORY MOUNTED SOAP DISPENSER



SPECIFICATION

Lavatory Mounted Soap Dispenser shall hold and dispense 34 oz (1 L) of liquid soap having a pH in range 7 ± 1.5 and viscosity in range 50-2500 cP (mPa•s). Soaps containing reportable salts, chlorides and alcohol should be avoided. Soap container shall be translucent, shatter resistant polyethylene. Dispenser stem and 4" [102] spout shall be stainless steel with rubber duckbill check valves and an O-ring seal. Valve body, internal parts, basin nut, threaded shank and globe adapter shall be molded plastic. Spring, escutcheon washer, stem retainer collar and screw shall be stainless steel. Escutcheon shall be chrome-plated brass. Vandal-resistant spout shall rotate 360° without damage to unit. Valve operation shall comply with 2010 ADA Accessibility Standards and ICC/ANSI A.117.1 by requiring no more than 5 lbs_f (22.2 N) of pressure to actuate without grasping or twisting by operator.

Lavatory Mounted Soap Dispenser shall be Model № 0332 of American Specialties, Inc., 441 Saw Mill River Road, Yonkers, New York 10701-4913

INSTALLATION

Unit is typically located adjacent to a flush mounted lavatory and installed through a 7/8" diameter [Ø22] cut out (by others) in counter top. An adjustable threaded shank allows for installation in counter tops up to 3-1/2" [89] thick.

OPERATION

Dispense soap manually by pushing down on the spout stem. Dispense volume is typically 0.03 fl. oz. (0.8 ml) for liquid soap in correct viscosity range. Dispenser is refilled from above counter top by using the special refill key to unlock the escutcheon and remove the valve body with dip tube from the shank to expose reservoir opening. Pour soap directly into the opening until the level reaches the neck of the reservoir below the vanity.

OPTIONS

Spout option may be combined with globe option. Specify option by adding suffix to Model № (e.g. 0332-CD64).

SUFFIX	DESCRIPTION
C	20 ounce (592 ml) polyethylene globe
D	6" [152] long stainless steel spout
64	1" [25] height chrome plated spacer (not shown)