



**Description**

Retta kitchen mixer high raised spout, with flexible hoses G3/8", swivelling cast body, flow rate limiter 50% (Click technology) in combination with hot water limiter, 47 mm ceramic disc cartridge and centering & sealing ring, chrome

Retta kitchen mixer high raised spout pull-down 2 functions spray, with flexible hoses G3/8", flow rate limiter 50% (Click technology) in combination with hot water limiter, 47 mm ceramic disc cartridge and centering & sealing ring, chrome

**Alternative product**

You can obtain a **maximum 5lt/min flow rate** with one extra component. Specifically:  
Retta kitchen mixer high raised spout, with a **maximum 5lt/min flow rate**, with flexible hoses G3/8", swivelling cast body, flow rate limiter 50% (Click technology) in combination with hot water limiter, 47 mm ceramic disc cartridge and centering & sealing ring, chrome. **Necessary codes to order: B8985AA (kitchen mixer) and A962708NU (regulator).**

**Recommended equipment**

Cache aerator (M16,5x1) that provides a **maximum 5lt/min flow rate**.

Available until January 31, 2020.

**Product**

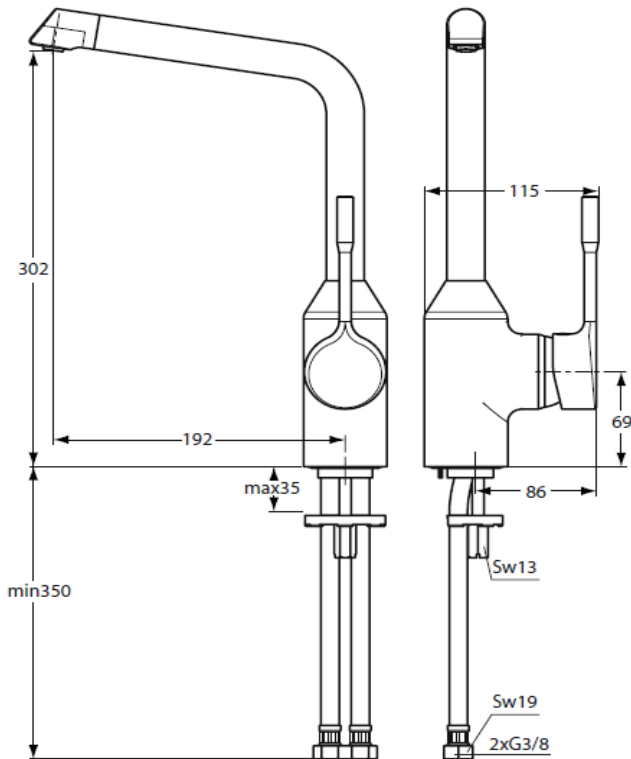
Product	Article-No.
Kitchen mixer high raised spout	<b>B8985AA</b>
Kitchen mixer high raised spout pull-down spray	<b>B8989AA</b>

**Recommended equipment**

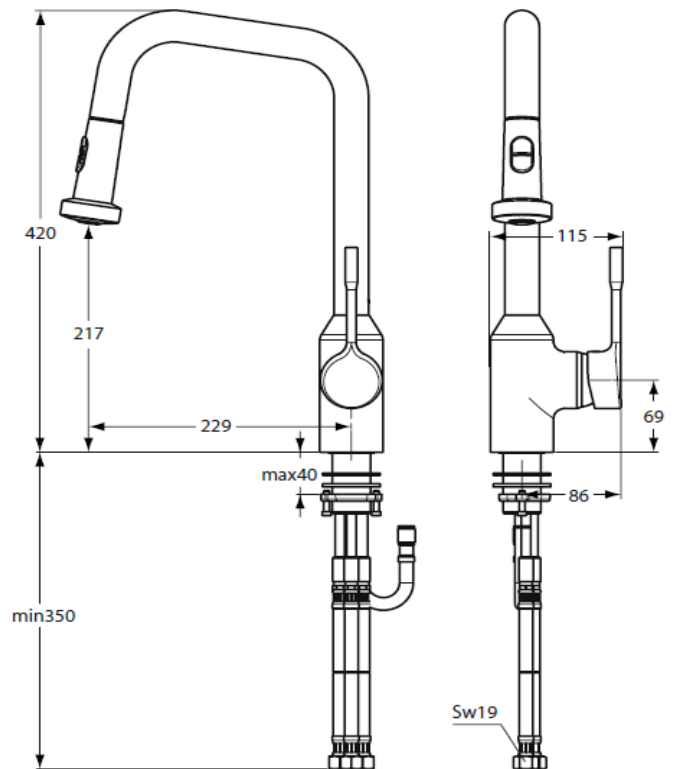
Cache aerator M16.5X1, 5lt/min flow rate	<b>A962708NU</b>
--	------------------

**Finishes**

- AA Chrome
- NU Neutral



B 8985 ..



B 8989 ..



Kitchen Fittings