



Description

Retta kitchen mixer high raised spout, with flexible hoses G3/8", swivelling cast body, flow rate limiter 50% (Click technology) in combination with hot water limiter, 47 mm ceramic disc cartridge and centering & sealing ring, chrome

Retta kitchen mixer high raised spout pull-down 2 functions spray, with flexible hoses G3/8", flow rate limiter 50% (Click technology) in combination with hot water limiter, 47 mm ceramic disc cartridge and centering & sealing ring, chrome

Alternative product

You can obtain a **maximum 5lt/min flow rate** with one extra component. Specifically: Retta kitchen mixer high raised spout, with a **maximum 5lt/min flow rate**, with flexible hoses G3/8", swivelling cast body, flow rate limiter 50% (Click technology) in combination with hot water limiter, 47 mm ceramic disc cartridge and centering & sealing ring, chrome. **Necessary codes to order: B8985AA (kitchen mixer) and A962708NU (regulator).**

Recommended equipment

Cache aerator (M16,5x1) that provides a **maximum 5lt/min flow rate**.

Available until January 31, 2020.

Product

Article-No.

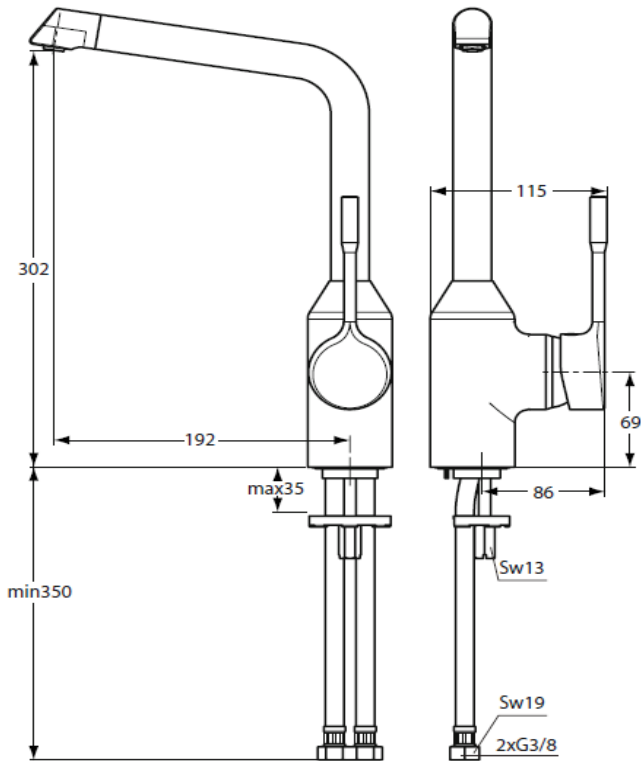
Kitchen mixer high raised spout	B8985AA
Kitchen mixer high raised spout pull-down spray	B8989AA

Recommended equipment

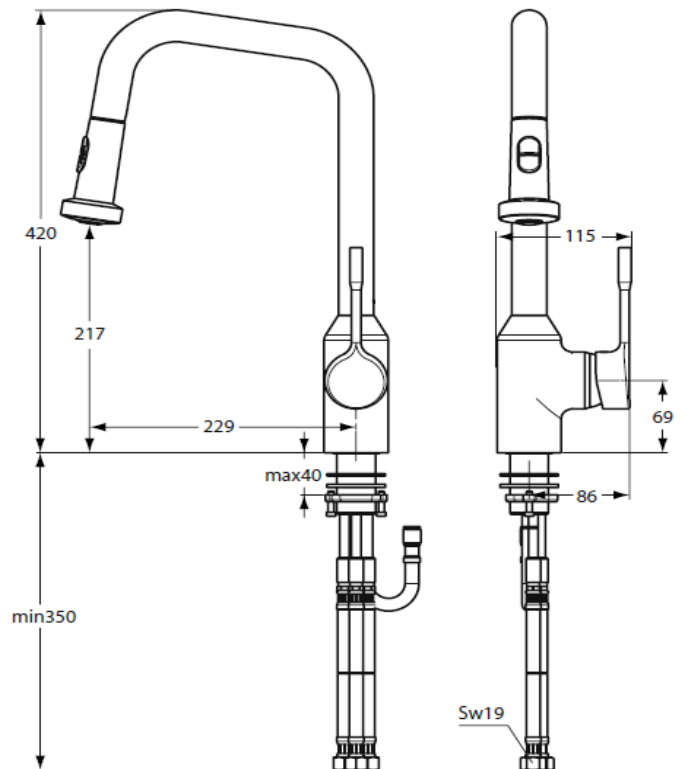
Cache aerator M16.5X1, 5lt/min flow rate	A962708NU
--	------------------

Finishes

- AA Chrome
- NU Neutral



B 8985 ..



B 8989 ..

