

E402-1.28**EMPIRE****HIGH EFFICIENCY TOILET FLUSH VALVE**
(1.28gpf / 4.8Lpf Per Flush)

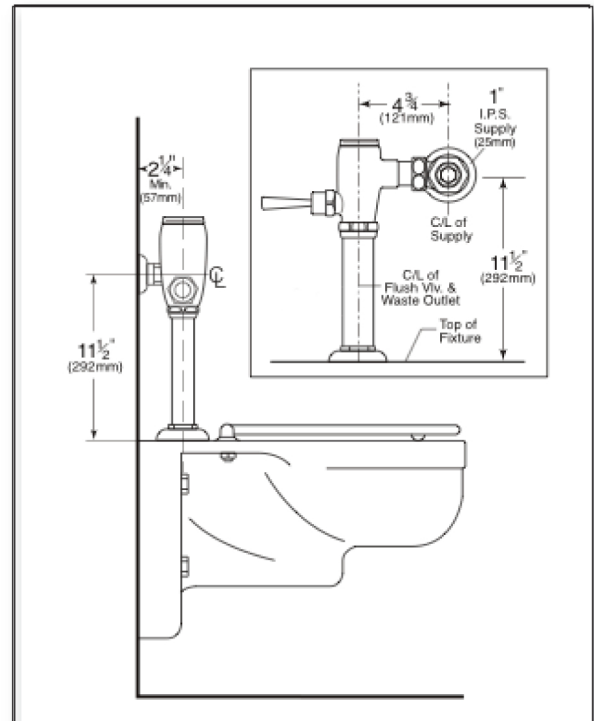
Polished chrome plated, piston operated flush valve, self-cleaning bypass, chrome plated piston, chloramine resistant rubber parts, 1.28 gallons per flush, with 1" vandle resistant capped screwdrive angle stop with back-check, ADA compliant metal "Rubberflex" oscillating handle, Non-Hold-Open, with Slip-Fit adjustable tailpiece, vacuum breaker, wall flange, spud nut and spud flange for 1½" top spud.

Variations

- AM – Antimicrobial Coated Handle
- SH – SmartHandle Dual-Flush with Antimicrobial Coating
- G – Bumper on angle stop (for seat without cover)
- T6 – Wall flange with allen set screw
- T36 – Solid ring wall support for flush connection
- T42 – Sweat adapter kit for stop
- T46 – Split ring wall support for flush connection

Remarks

***** *For use with 1.28 gallons high efficiency water closet*



P.O. Box 411 · Charlottesville · VA · 22902 · USA
 Phone: (434) 296-0166 · Fax (434) 977-3596
 Email: info@delanyproducts.com
 Web: www.delanyproducts.com
 ©2014

