

E474-1.6

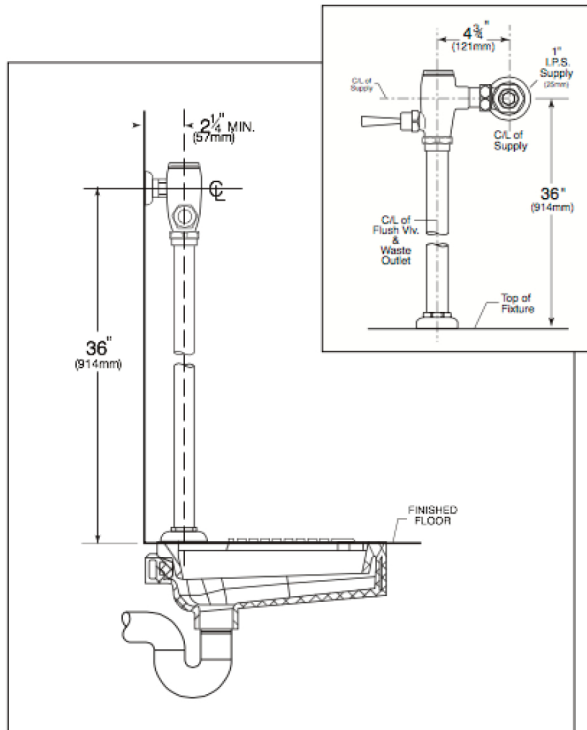
EMPIRE

Polished chrome plated flush valve, piston type, with non-hold-open equipment, 1.6 gpf / 6.0 Lpf, self cleaning bypass orifice, chloramines resistant rubber parts, with 1" vandal resistant capped screwdriver angle stop with back-check, ADA compliant metal "Rubberflex" oscillating handle, Slip Joint adjustable tailpiece, vacuum breaker, wall flange, spud nut and flange for 1-1/2" exposed top spud.

Variations

- T6 – Heavy cast wall flange with allen head set screw
- T36 – Solid ring wall support for flush connection
- T42 – Sweat adapter kit for stop
- T46 – Split ring wall support for flush connection

Remarks



P.O. Box 411 · Charlottesville · VA · 22902 · USA
Phone: (434) 296-0166 · Fax (434) 977-3596
Email: info@delanyproducts.com
Web: www.delanyproducts.com
©2015

