

PRODUCT SPECIFICATIONS

Elkay Stainless Steel 25" x 19-1/2" x 12", Wall Hung Service Sink Kit.
Sink is manufactured from 14 gauge 304 Stainless Steel with a Buffed Satin finish, .

Material:	304 Stainless Steel
Finish:	Buffed Satin
Gauge:	14
Number of Bowls:	1
Sink Dimensions:	25" x 19-1/2" x 39-3/4"
Bowl 1 Dimensions:	22" x 16" x 12"
Drain Size:	3-1/2" (89mm)



Included with Product: **ESSW2520** sink,
one LKB940C faucet,
one LK173 cast iron P-trap

▼ **Ships in multiple boxes.**

AMERICAN PRIDE. A LIFETIME TRADITION.

Like your family, the Elkay family has values and traditions that endure. For almost a century, Elkay has been a family-owned and operated company, providing thousands of jobs that support our families and communities.



Product Compliance: ASME A112.19.3/CSA B45.4
BUY AMERICAN ACT
Faucet: ADA & ICC A117.1
ASME A112.18.1/CSA B125.1
NSF 61

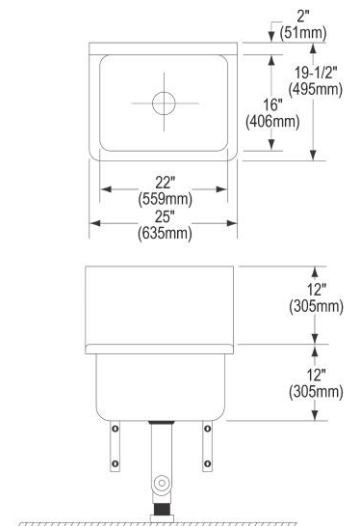


Faucet complies with ADA & ICC A117.1 accessibility requirements when installed according to the requirements outlined in these standards.

[Clean and Care Manual \(PDF\)](#)

[Installation Instructions \(PDF\)](#)

[Limited Warranty \(PDF\)](#)



PART: _____ QTY: _____

PROJECT: _____

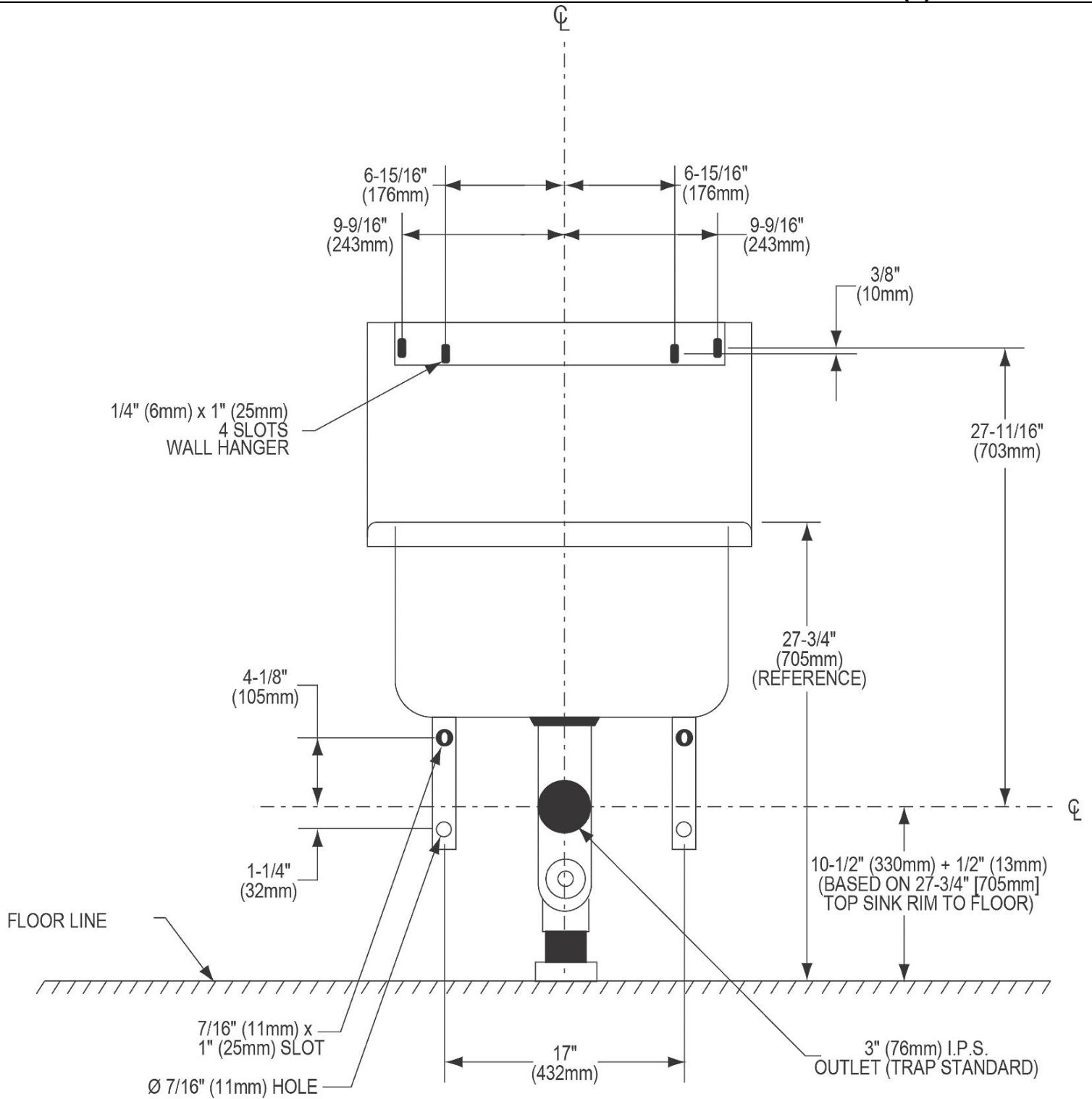
CONTACT: _____

DATE: _____

NOTES: _____

APPROVAL: _____

In keeping with our policy of continuing product improvement, Elkay reserves the right to change product specifications without notice. Please visit elkay.com for the most current version of Elkay product specification sheets. This specification describes an Elkay product with design, quality, and functional benefits to the user. When making a comparison of other producers' offerings, be certain these features are not overlooked.



In keeping with our policy of continuing product improvement, Elkay reserves the right to change product specifications without notice. Please visit elkay.com for the most current version of Elkay product specification sheets. This specification describes an Elkay product with design, quality, and functional benefits to the user. When making a comparison of other producers' offerings, be certain these features are not overlooked.