

PL1402-1.6-DF LOW CONSUMPTION TOILET FLUSH VALVE (1.6gpf / 6.0Lpf per Flush)

Pulsar V2.0 Dual-Flush

Description

Battery Powered Sensor Operated, chrome plated flush valve for exposed top spud fixtures.

Flush Cycle

Regular Delivery: 1.6gpf / 6.0Lpf for Solid Waste flushing cycle.
Short Delivery: 1.1gpf / 4.2Lpf for Liquids flushing cycle.

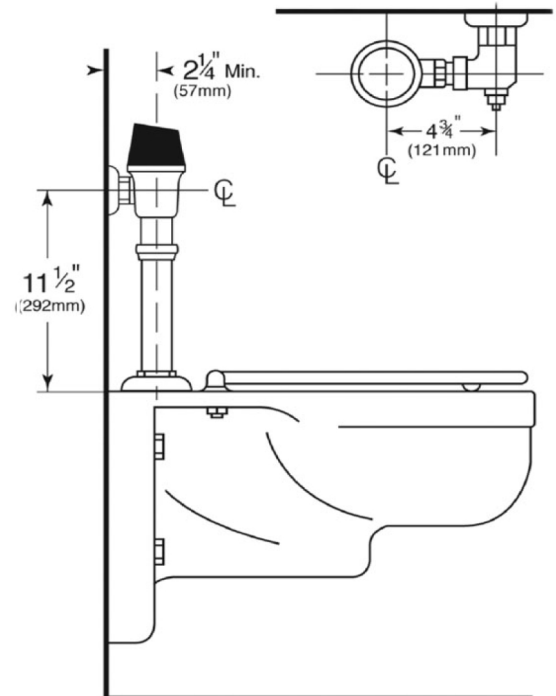
Specification

Diaphragm type valve, electronic adjustable for water conservation, renewable main valve seat.

- Pulsar V2 Sensor Module for ADA compliant "Hands Free" operation.
- Dual-Flush automatically will determine the flush volume needed.
- 6 Volt Solenoid Valve non-latching.
- (1) dual-cell lithium battery with 10 year shelf life.
- Dual-Flush override pushbutton.
- Electronic range adjustment.
- Low battery indicator LED.
- Chloramine resistant diaphragm.
- Arming delay of 10 seconds prevents unintentional flushes.
- Electronic Override Push Button.
- Renewable main valve seat.
- 1" vandle resistant capped screwdriver angle stop with back-check.
- Sweat Adapter Kit w/ cover tube and wall flange w/ recessed allen head set screw.
- Vacuum Breaker flush connection.
- Wall flange, spud nut and spud flange for 1-1/2" top spud.
- All rubber parts molded of Chloramine Resistant Rubber.

Variations

- GJ - Ground Jount (adjustable joint tailpiece)
- SC - SlipFit connection (adjustable joint tailpiece)
- G - Bumper on angle stop (for seat without cover)
- T6 - Wall flange with allen set screw.
- T36 - Solid ring wall support for flush connection.
- T46- Split ring wall support for flush connection.
- T106- Mashaerator Self-Cleaning Bypass.



Note: Min. roughing height 10 1/2" centerline of supply to top of fixture.

