

# S402-1.28

## HIGH EFFICIENCY TOILET FLUSH VALVE (1.28gpf / 4.8Lpf per Flush)

### SABER

#### Description

Exposed chrome plated flush valve for 1-1/2" top spud floor mounted or wall hung water closets.

#### Flush Cycle

1.28gpf / 4.8Lpf High Efficiency

#### Specification

- Regulating screw for "True-in-the-Field" water conservation.
- Mashaerator self-cleaning bypass diaphragm.
- 1" vandle resistant capped screwdriver angle stop with back-check.
- Sweat adapter kit.
- Renewable main valve seat.
- ADA compliant metal "Rubberflex" oscillating handle.
- Slip-Joint adjustable tailpiece.
- 1.5" x 9" vacuum breaker flush connection.
- Wall flange, spud nut and spud flange for 1.5" top spud.
- All rubber parts molded of chloramine resistant rubber

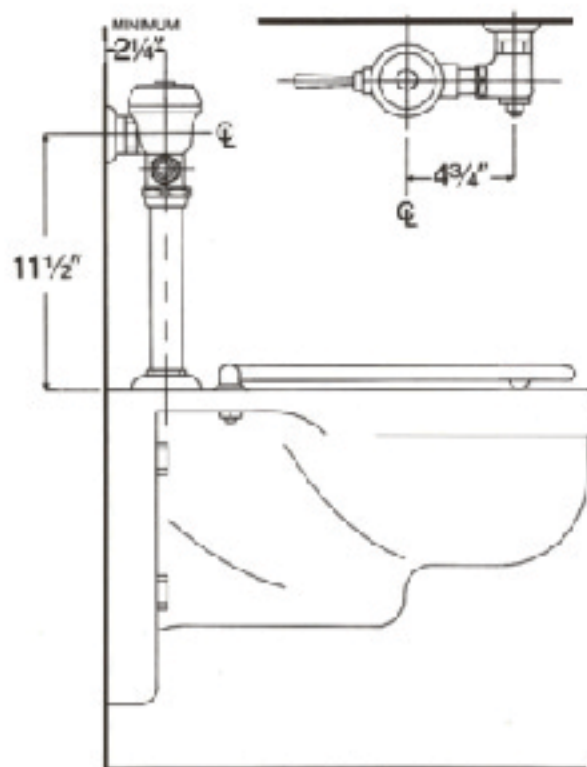
#### Variations

- AM - Antimicrobial Coated Handle
- G - Bumper on Control Stop for Seat
- SH - SmartHandle Dual-Flush with Antimicrobial Coating
- SM - SideArm (Side Mounted Sensor Actuator)
- T5 - Non-Hold-Open Feature
- T6 - Wall flange with allen set screw
- T36 - Solid ring wall support for flush connection
- T46 - Split ring wall support for flush connection
- VPS - Vandal Proof Control Stop with Key
- Logo - Customized Cover Cap w/ Logo

Valve is certified to be in compliance to the applicable sections of ASSE 1037 and ANSI/ASME 112.19.2

WaterSense Listed and compliant when paired with a WaterSense compliant fixture.

Valve Body shall be in conformance with ASTM Alloy Classification for Semi-Red Brass.



ASSE 1037



P.O. Box 411 • Charlottesville • VA • 22902 • USA Phone: (434) 296-0166 • Fax (434) 977-3596

Email: [info@delanyproducts.com](mailto:info@delanyproducts.com) Web: [www.delanyproducts.com](http://www.delanyproducts.com) ©2015 v3