

SPECIFICATION SHEET

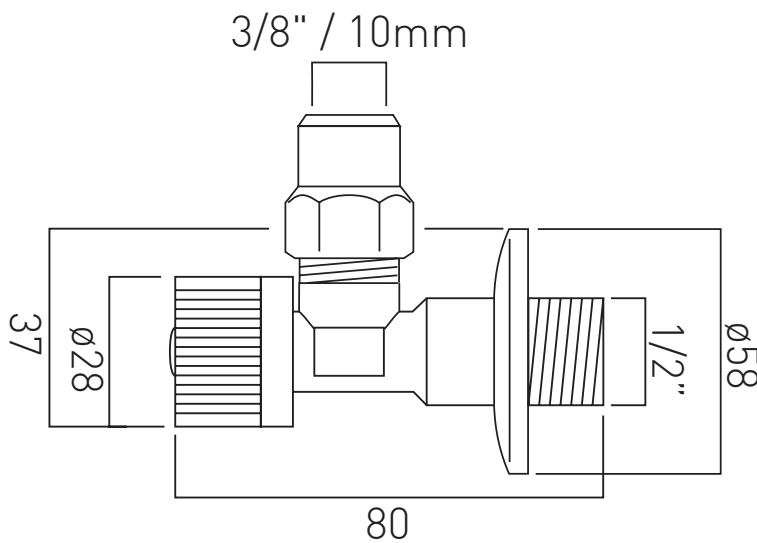


PRODUCT CODE: PEX-234A-C/P

DESCRIPTION:

1/2" x 3/8" quarter turn angle valve with 10mm compression nut
(supplied with both hot and cold indices)

FINISH: Chrome



standard packing details	
item weight (kg)	0.107
inner box contains box weight (kg)	1 0.126
outer carton contains carton weight (kg)	100 13
full pallet contains pallet weight (kg)	2800 379

tel: +44 (0)1934 745160
email: export@vado.com
www.vado.com

