

# SPECIFICATION SHEET

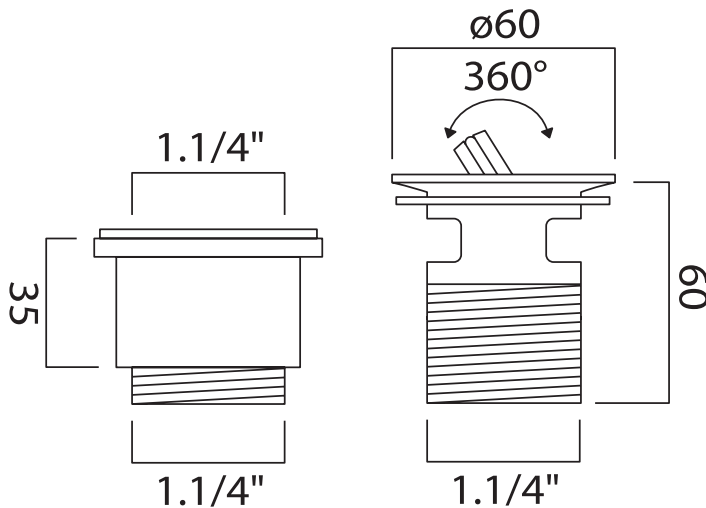


**PRODUCT CODE:** PEX-392-S-C/P

**DESCRIPTION:**

slotted captive basin waste  
with sleeve, 1.1/4"

**FINISH:** Chrome



standard packing details

|   |             |
|---|-------------|
| item weight (kg)                            | 0.37        |
| inner box contains<br>box weight (kg)       | 1<br>0.4    |
| outer carton contains<br>carton weight (kg) | 60<br>24.5  |
| full pallet contains<br>pallet weight (kg)  | 1080<br>456 |

tel: +44 (0)1934 745160  
email: [export@vado.com](mailto:export@vado.com)  
[www.vado.com](http://www.vado.com)

