

SPECIFICATION SHEET

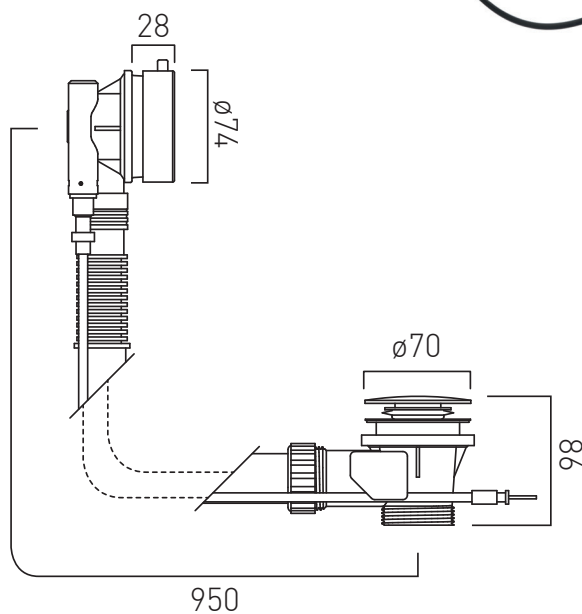


PRODUCT CODE: WG-71552A-CP

DESCRIPTION:

bath waste and overflow
with twist operated waste 1.1/2"

FINISH: Chrome



standard packing details

item weight (kg)	0.83
inner box contains	1
box weight (kg)	1.11
outer carton contains	8
carton weight (kg)	11.5
full pallet contains	80
pallet weight (kg)	117

tel: +44 (0)1934 745160
email: export@vado.com
www.vado.com

