

SPECIFICATION SHEET

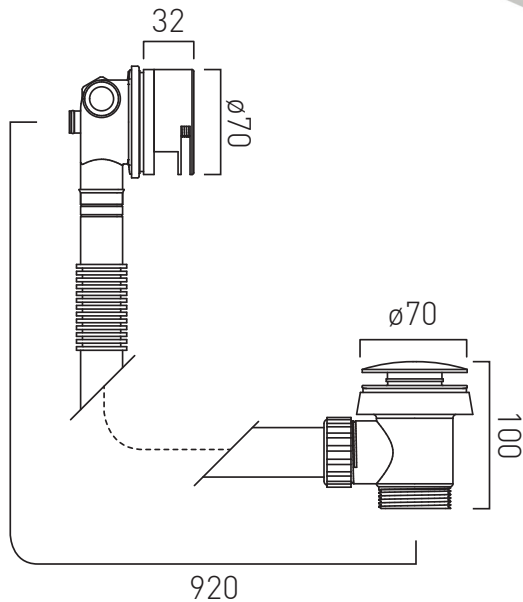


PRODUCT CODE: WG-81389-C/P

DESCRIPTION:

bath filler waste overflow
with clic-clac operated waste 1.1/2"

FINISH: Chrome



standard packing details

item weight (kg)	1.58
inner box contains box weight (kg)	1
outer carton contains carton weight (kg)	8
full pallet contains pallet weight (kg)	80

tel: +44 (0)1934 745160
email: export@vado.com
www.vado.com

