

SPECIFICATION SHEET

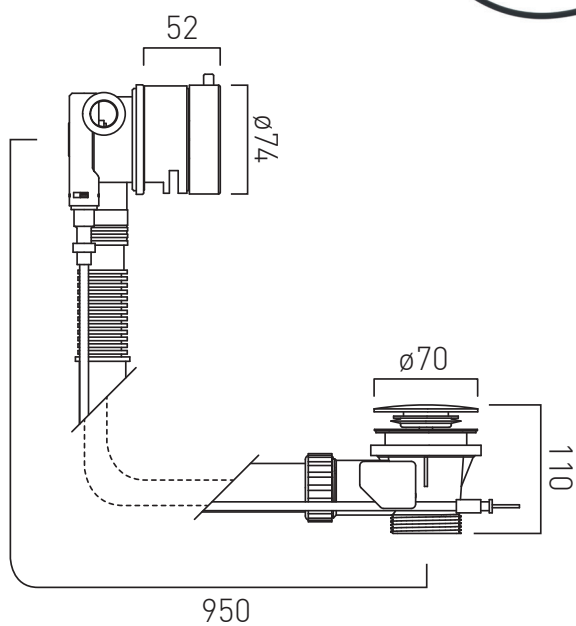


PRODUCT CODE: WG-81552A-CP

DESCRIPTION:

bath filler waste overflow
with twist operated waste 1.1/2"

FINISH: Chrome



standard packing details

item weight (kg)	1.4
inner box contains box weight (kg)	1 1.67
outer carton contains carton weight (kg)	8 17.5
full pallet contains pallet weight (kg)	80 165

tel: +44 (0)1934 745160
email: export@vado.com
www.vado.com

